

vis-it[®] HP 43" Bolt-Down Indoor totem

Item no.: 5826

The vis-it HP 43" Bolt-Down is an elegant indoor totem. It is suitable for digital information systems or digital signage applications and sets these aesthetically in the limelight.

The column is suitable for displays with a screen diagonal of 43" | 109 cm. The maximum installation depth of the display should not exceed 95 mm.

Ventilation slots ensure the supply and air requirements of the installed devices.

In addition, there is enough space inside for a mini PC or other smaller peripheral devices.

The cables are routed internally and are protected against unauthorized access.

The base of the totem can be installed horizontally or vertically, which enables different overall heights.

During assembly, the narrow base plate is firmly screwed to the floor.

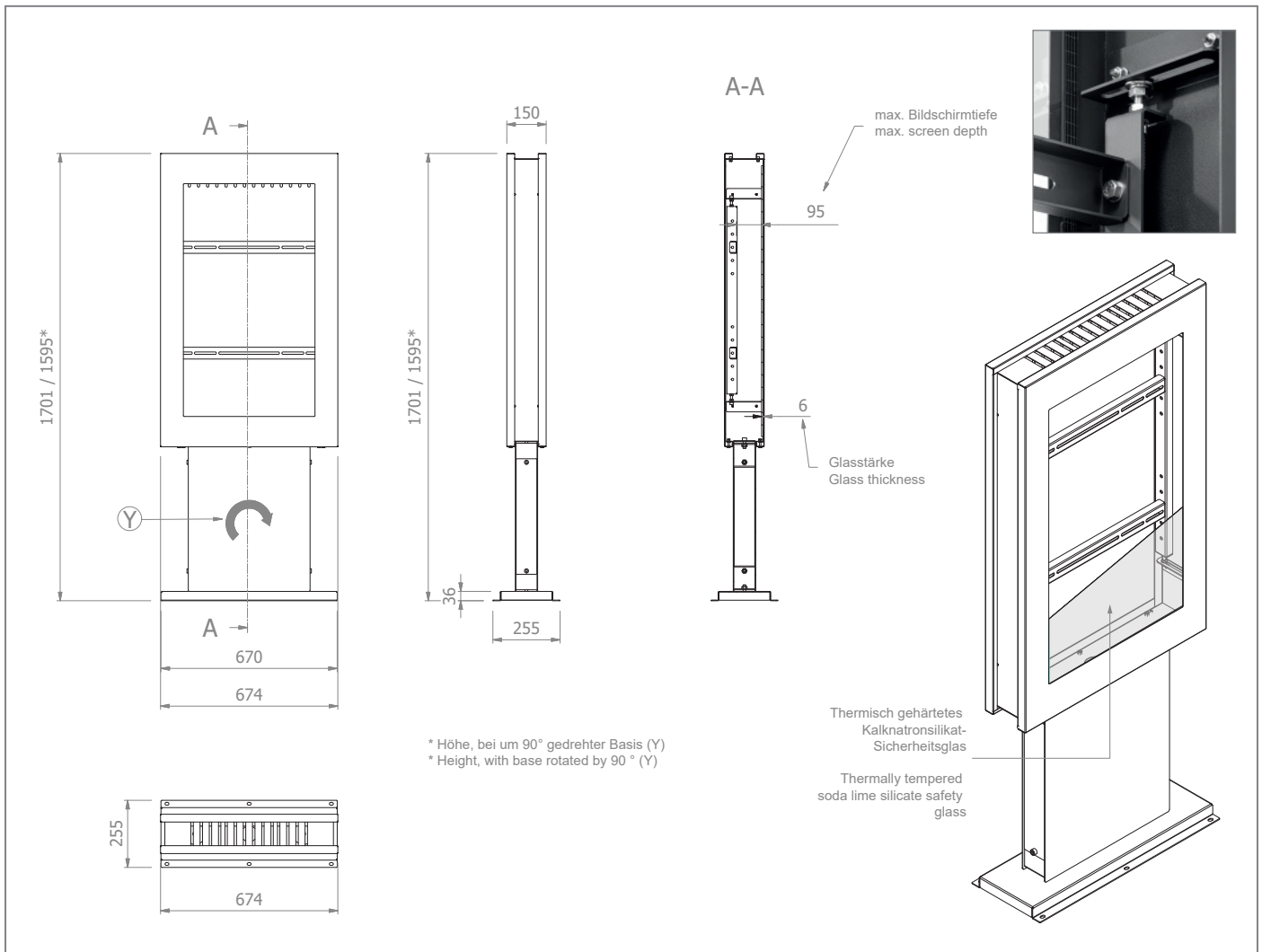
Alternatively, a free standing version is also available.



vis-it® HP 43" Bolt-Down Indoor totem

Item no.: 5826

- for single screens with 43" | 109 cm
- portrait format
- incl. thermally hardened safety glass 6 mm
- for screens with a max. installation depth of 95 mm
- the base of the totem can be installed horizontally or vertically, which enables different overall heights
- incl. fine adjustment within the mount in height and depth for perfect alignment
- internal cable routing
- protection from unauthorized access by way of security pin screws
- incl. space for mini PC or other peripheral equipment
- not suitable for touch screens - custom build possible on request
- colour: anthracite grey (RAL 7016)



vis-it[®] HP Bolt-Down

Hole pattern for Bolt-Down

